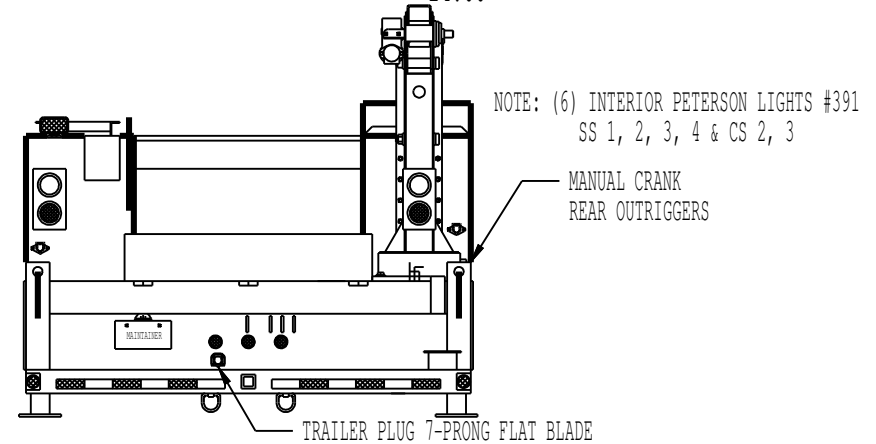
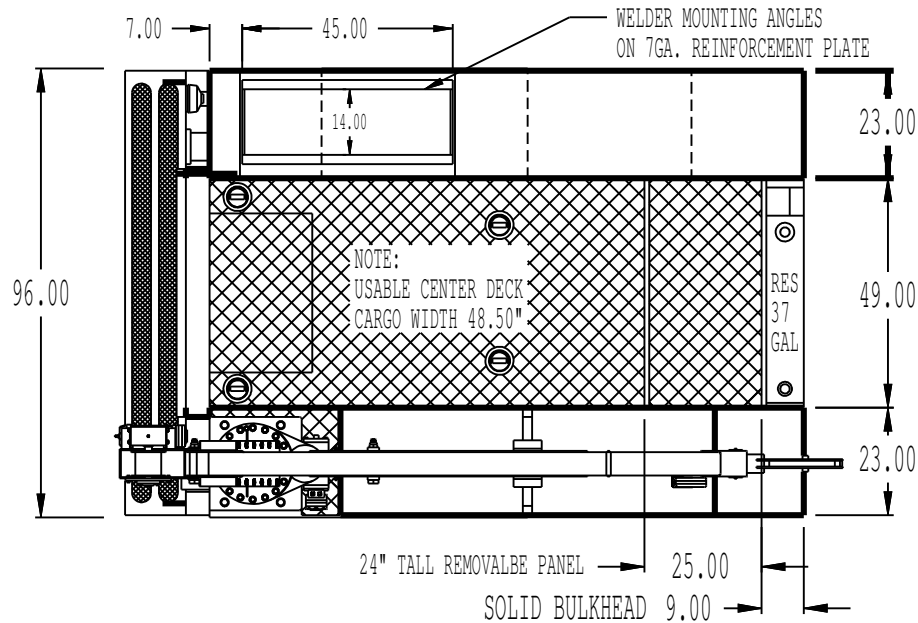
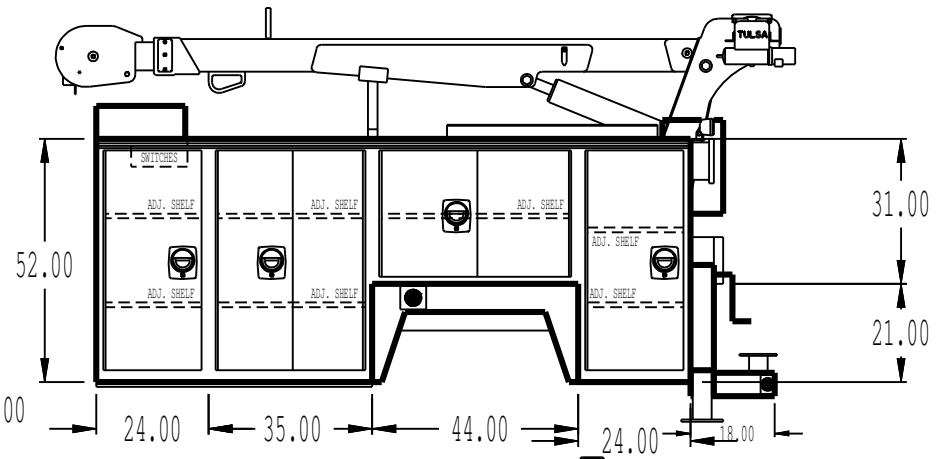
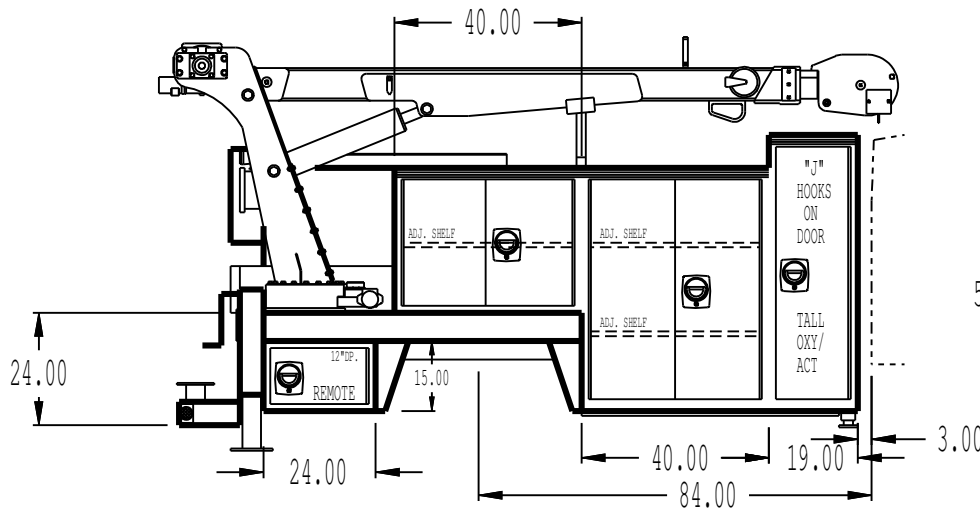


APPROVED BY: _____

DATE: _____

PAINT CODE: Z1 OXFORD WHITE

WELDER TYPE _____



PLEASE REPORT ANY ERRORS FOUND ON THIS PRINT

NOTE: 4" CROSSMEMBERS AND 6" MAINSILLS

THIS PRINT CONTAINS CONFIDENTIAL INFORMATION AND IS THE SOLE PROPERTY OF MAINTAINER CORP. OF IOWA INC. AND IS NOT TO BE COPIED OR REPRODUCED WITHOUT THE EXPRESSED WRITTEN PERMISSION OF MAINTAINER CORP. OF IOWA INC.

PROPRIETARY DATA PROPERTY OF MAINTAINER CORPORATION OF IOWA, INC.

COPYRIGHT © 2001

UOS DIMENSIONS ARE IN INCHES
GENERAL TOLERANCES

MATERIAL:

BREAK ALL ANGULAR ± 1°
EDGES .XX ± .03
.01 X 45° .XXX ± .005

SCALE: 1:32 SIZE: B

UOS RADII UOS ANGLES

DRAWING NUMBER: Z368K

Maintainer
Corporation of Iowa, Inc.
P.O. Box 349 1701 S. 2nd Avenue
Sheldon, Iowa 51201

MADE IN THE USA

3216-1-084

DFTM. KJB DATE: 6-23-08

HOUSTON AUTOMOTIVE GROUP